



**Lochinvar**<sup>®</sup>  
High Efficiency Water Heaters, Boilers and Pool Heaters

**PUMP  
Recommendation**

**PUMP-Rec-05 Rev B**

**PUMP RECOMMENDATION FOR  
COPPER-FIN 0495-0745 WATER HEATER**

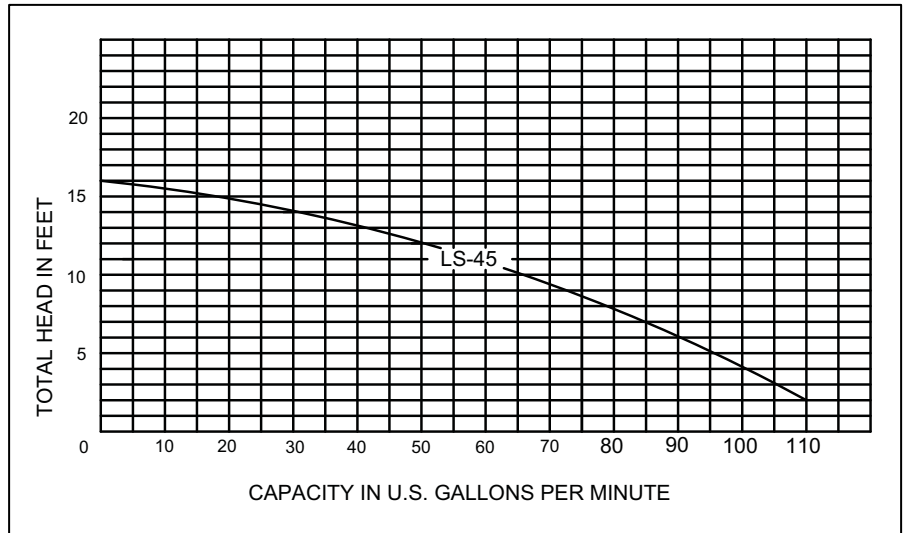
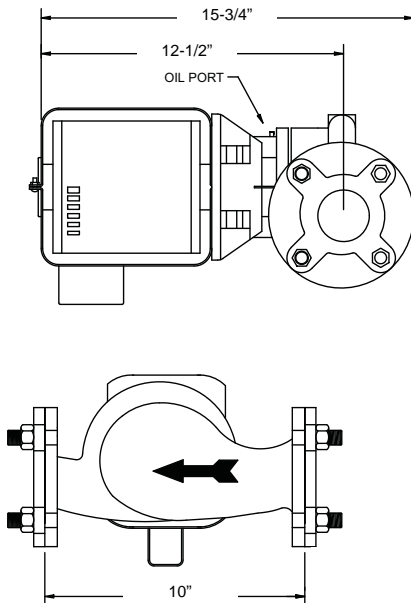
**Pump Specifications**

Part No.	HorsePower	Flanges	Valute Material	Flange Material	Vendor	Vendor Product Series	Orientation
ARM3044PAB	1/4	2"	Bronze	Bronze	Armstrong	LS45	Horizontal

**Installation Specifications**

Pump	Recommended for Model Numbers	Maximum GPM	Based on Installation Type
ARM3044PAB	Copper-Fin Wtr Htr, CW(N,L) 0495-0745	55 GPM	Single Water Heater piped to Single Storage Tank
	<b>Based on Minimum Pipe Diameter</b>	<b>Based on Connecting piping</b>	
	2"	Maximum 45 feet straight pipe with 6-Elbows, 2-Unions, 2-Ball Valves and 1-Cold Water Inlet Tee	

**IMPORTANT:** Read the Copper-fin 495-2065 Installation and Operation Manual. If the planned system exceeds the pump capacity in flow and/or head see "Pump Curves-All Pumps" for alternate pumps and pump curves.



**Lochinvar**<sup>®</sup>  
High Efficiency Water Heaters, Boilers and Pool Heaters

Lochinvar Corporation • 300 Maddox Simpson Pkwy • Lebanon, TN 37090 • 615-889-8900/Fax: 615-547-1000

[www.Lochinvar.com](http://www.Lochinvar.com)



**Lochinvar**<sup>®</sup>  
High Efficiency Water Heaters, Boilers and Pool Heaters

**PUMP  
Recommendation**

**PUMP-Rec-05**

**PUMP RECOMMENDATION FOR  
COPPER-FIN 0986-2066 WATER HEATER**

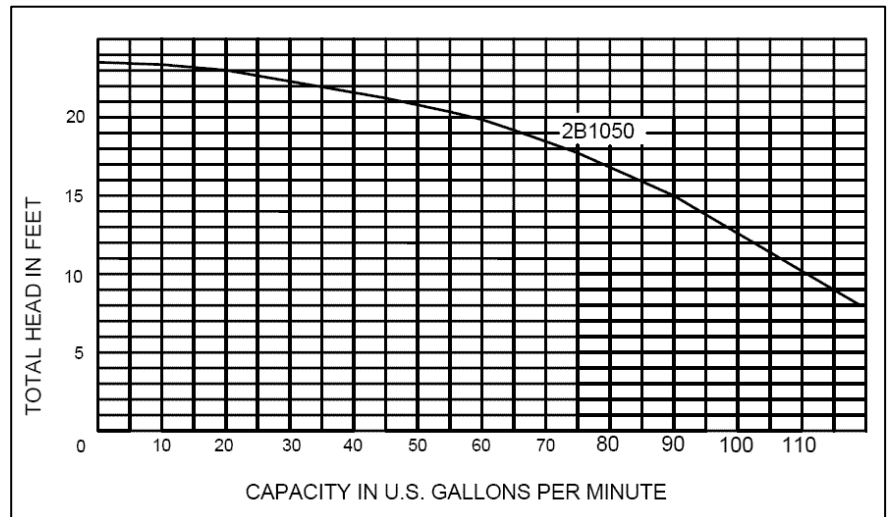
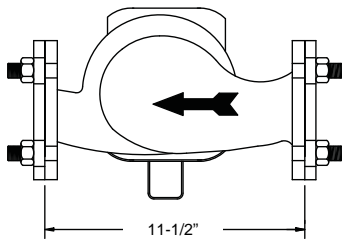
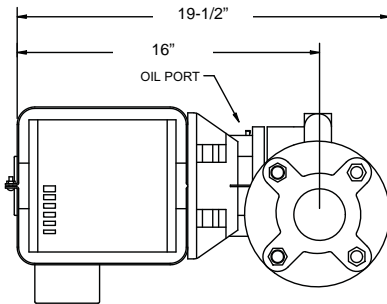
**Pump Specifications**

Part No.	HorsePower	Flanges	Valute Material	Flange Material	Vendor	Vendor Product Series	Orientation
ARM3024PAB	1/2	2-1/2"	Brass	Brass	Armstrong	2B1050	Horizontal

**Installation Specifications**

Pump	Recommended for Model Numbers	Maximum GPM	Based on Installation Type
ARM3024PAB	Copper-Fin Wtr Htr, CW(N,L) 0986-2066	90 GPM	Single Water Heater piped to Single Storage Tank
	Based on Minimum Pipe Diameter	Based on Connecting piping	
	2-1/2"	Maximum 45 feet straight pipe with 6-Elbows, 2-Unions, 2-Ball Valves and 1-Cold Water Inlet Tee	

**IMPORTANT:** Read the Copper-fin 495-2065 Installation and Operation Manual. If the planned system exceeds the pump capacity in flow and/or head see "Pump-REC-All Pumps" for alternate pumps and pump curves.



**Lochinvar**<sup>®</sup>  
High Efficiency Water Heaters, Boilers and Pool Heaters

Lochinvar Corporation • 300 Maddox Simpson Pkwy • Lebanon, TN 37090 • 615-889-8900/Fax: 615-547-1000

www.Lochinvar.com